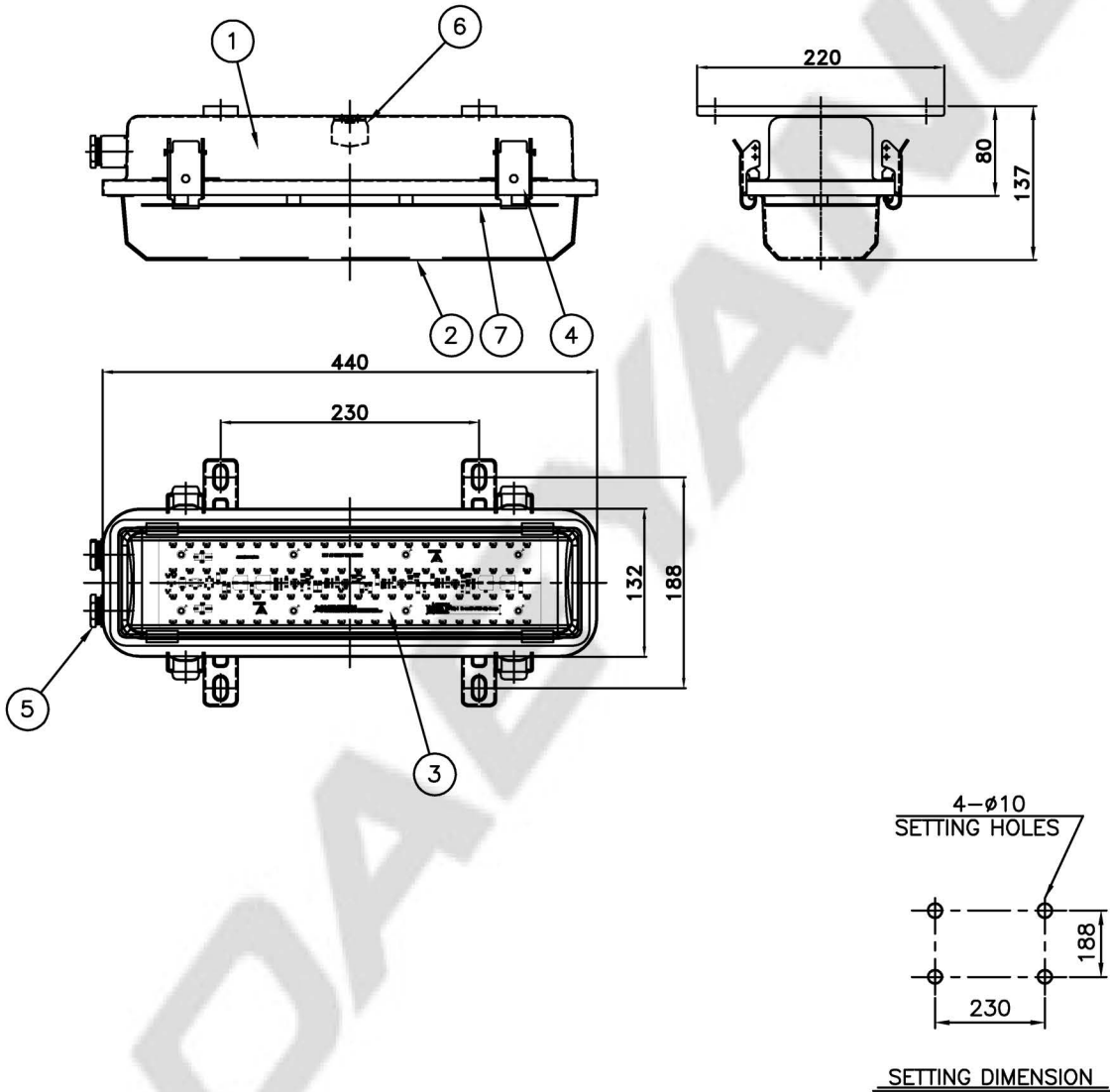


| | | |
|------------------|--------------------|-----------------|
| CAPACITY | SYMBOL/ SERIAL NO. | CIRCUIT DIAGRAM |
| AC 220V, 50/60Hz | SL 20 | |
| 20W | | |



| | | | | | 4 | LATCH | STS316L | 4 | |
|----|-----------------------|----------------|------|---------------------|----|------------------|----------------|------|------------------------|
| 7 | PROTECTION COVER | POLYCAR-BONATE | 1 | CLEAR | 3 | LED module ASS'Y | - | 1 | POWER SOURCE : AC TYPE |
| 6 | TERMINAL BLOCK(2.5sq) | NYLON | 1 | 2P+2E | 2 | GLOBE | POLYCAR-BONATE | 1 | MILKY |
| 5 | CABLE GLAND | BRASS | 2 | M24xW17 (ø14~ø17.5) | 1 | BODY | STS316L | 1 | |
| NO | NAME OF PARTS | MATERIAL | Q'TY | REMARKS | NO | NAME OF PARTS | MATERIAL | Q'TY | REMARKS |

| | | | | | | | | | |
|----------|--------------|-------|-------|--|-------------------------|-----------|--------|--|--|
| APPROVED | B. K. KIM | UNIT | MM | TITLE; LED CEILING LIGHT (SURFACE TYPE) FOR MARINE USE | | | | | |
| CHECKED | J. W. PARK | SCALE | N/S | | | | | | |
| DRAWING | H. S. SHIN | COLOR | N-9.3 | | | | | | |
| DATE | 2018. 01. 15 | IP | 67 | | | | | | |
| | | | | MODEL NO. | LEB120WS-206UWNM2w17C50 | WEIGHT | 2.4 Kg | | |
| | | | | DWG NO. | LO1450130 | SHEET NO. | 32 | | |